

60 Watt, CGSW Series, Desk Top, (12 or 24 Volts Single Output)



electronicpowersolutions

- Universal AC Input
- 3 Pole IEC Inlet With Earth, Class I
- Full Approvals inc UL/CE
- Protected For Short Circuit / Over Load
- LED Power On Indicator
- 2 Year Warranty
- DOE Level VI Compliant
- Low Cost / From Stock



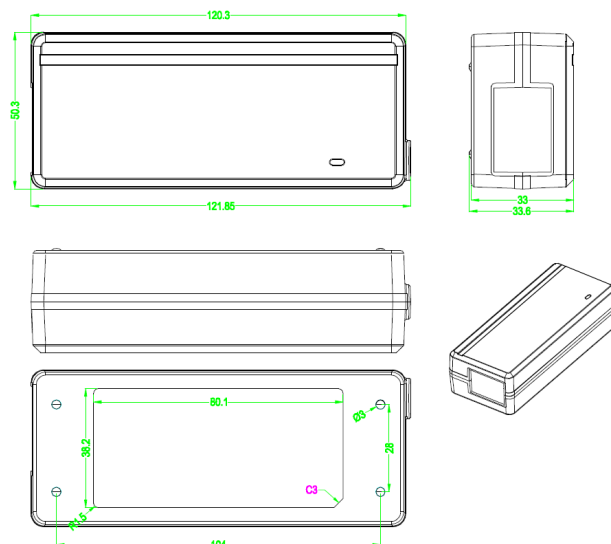
Specification

Input Voltage.....	90~264 Volts AC
Input Frequency.....	47~63 Hz
Ripple & Noise.....	Typically 1%
Output Protection.....	Over Load, Short Circuit, Over Voltage Protection
Temperature Range.....	Operating: 0 to +40 °C
Humidity.....	5 to 95% (non-condensing)
CE Mark.....	Compliance to Low Voltage & EMC directives
Safety Standards.....	EN 62368-1, CE, EN60335, EN61558, EN60065,
EMI Standards.....	EN55032, EN55035, EN61000-3-2,3
Input Connector.....	3 pin IEC inlet (IEC 320-C14)
Output Connector.....	Standard 2.1mm or 2.5mm positive centre bore (Options of other alternatives available)
Output Lead Length.....	Typically 1200~1500mm
Output Lead Gauge	12 Volt output 18AWG, 24 Volt output 20AWG
Case Size.....	120.3(L) x 50.3(W) x 33.6(H) mm
AC Mains Lead.....	Also available from ALL PSU Ltd UK, Euro, USA (Black 2 Metres long)

Models and Ratings

Model	Output Voltage	Output Current	Ripple & Noise	Output Connector Size
CGSW65-120-5000I-(2.1)	12.0 V	5.0 A	120 mV	2.1 x 5.5 x 11mm
CGSW65-240-2500I-(2.1)	24.0 V	2.5 A	240 mV	2.1 x 5.5 x 11mm
CGSW65-120-5000I-(2.5)	12.0 V	5.0 A	120 mV	2.5 x 5.5 x 11mm

Mechanical Details



Specifications are subject to change without notice, E&OE. ALL PSU Terms & Conditions apply.

**ALL PSU Ltd, Unit D6 Laser Quay, Culpeper Close, Medway City Estate,
Rochester, Kent, ME2 4HU, Tel : 01634 725527, Fax : 01634 739111
Email: sales@allpsu.co.uk, Web: www.allpsu.co.uk**